

## Circular valves

Circular valves are being used for air flow closing or as a throttling element to adjustment of necessary resistances in pipelines.

### Description

The circular valve is produced from S235 material and consist of a frame with standardized flat flanges according to ČSN 12 0205 and of a plate blade with a shaft. For flaps of diameter up to 315mm, the shaft has bushing bearings, for larger diameters there are ball-bearings.

The circular valves are controlled by a hand lever (the right position secured by a nut) or by a servo-drive (230V, 50Hz) or by a pneumatic cylinder.

Circular valves of bigger diameter than 355mm are produced as left and right ones. All circular valves are provided by both inner und extern primer coats. Extern coat type shall be determined according to working conditions or customer's requirements.

### Operating conditions

The circular valves can be mount in vertical, horizontal or slanted pipelines. It is always necessary to save horizontal position of axis of rotation of the plate blade. The default type of flap is being used for air flow closing to 300°C temperature. The connection sizes or eventually plate blade material can be modified according to agreement.

### Designation

The circular valve is designated:

#### Cicular valve size

Example of designation with size of flange Ø200 mm:

#### Circular valve Ø200

Other specifications:

Finish undercoat

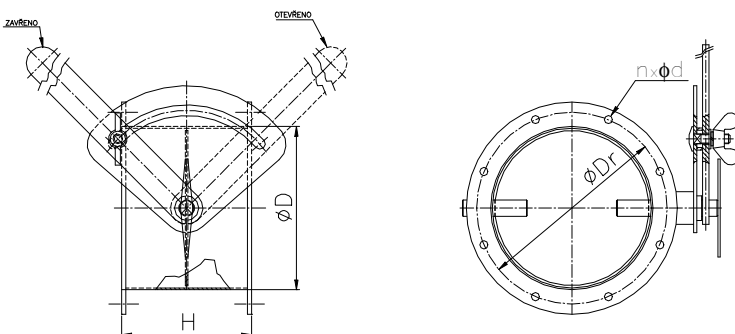
Finish undercoat + topcoat with RAL color

Technical data

Dimensions and weights

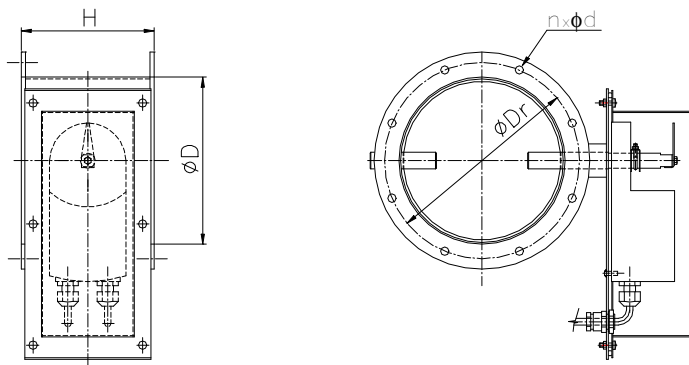
1. Light series – hand lever

Circular valve size $\varnothing D$ [mm]	$\varnothing Dr$ [mm]	H [mm]	n	$\varnothing d$ [mm]	Weight [kg]
50	80	100	4	10	2,0
65	95	100	4	10	2,1
80	110	100	4	10	2,3
100	130	160	4	10	2,8
110	140	160	4	10	3,0
125	155	160	8	10	3,2
140	170	160	8	10	3,4
160	195	160	8	10	6,2
180	215	160	8	10	6,6
200	235	160	8	10	7,1
225	260	200	8	10	8,1
250	285	200	8	10	8,6
280	315	200	8	10	9,4
315	350	200	12	10	10,5



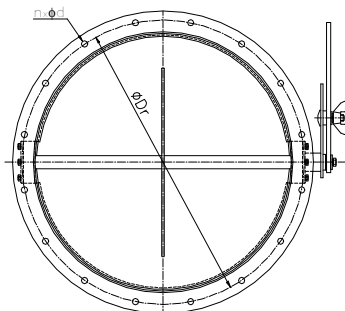
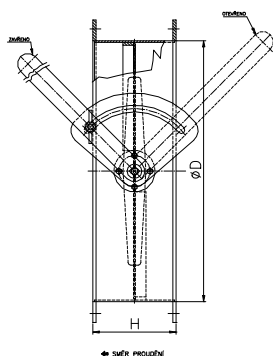
2. Light series – servo-drive

Circular valve size $\varnothing D$ [mm]	$\varnothing Dr$ [mm]	H [mm]	n	$\varnothing d$ [mm]	Weight [kg]
125	155	160	8	10	6,5
140	170	160	8	10	6,8
160	195	160	8	10	8,4
180	215	160	8	10	8,8
200	235	160	8	10	9,2
225	260	200	8	10	10,2
250	285	200	8	10	10,8
280	315	200	8	10	11,6
315	350	200	12	10	12,7



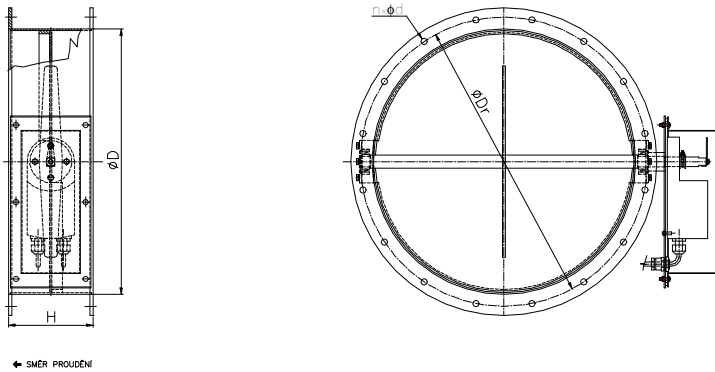
3. Middle series – hand lever

Circular valve size $\varnothing D$ [mm]	$\varnothing Dr$ [mm]	H [mm]	n	$\varnothing d$ [mm]	Weight [kg]
355	390	160	12	10	15,9
400	445	160	12	12	20,2
450	495	160	12	12	22,8
500	545	160	16	12	25,4
560	605	160	16	12	29,2
630	680	160	16	12	37,3



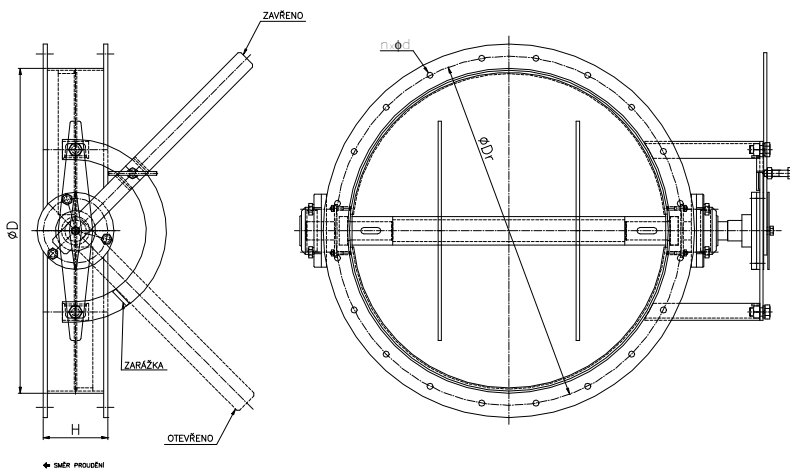
4. Middle series – servo-drive

Circular valve size $\varnothing D$ [mm]	$\varnothing Dr$ [mm]	H [mm]	n	$\varnothing d$ [mm]	Weight [kg]
355	390	160	12	10	18,2
400	445	160	12	12	22,5
450	495	160	12	12	25,0
500	545	160	16	12	27,5
560	605	160	16	12	31,5
630	680	160	16	12	39,6



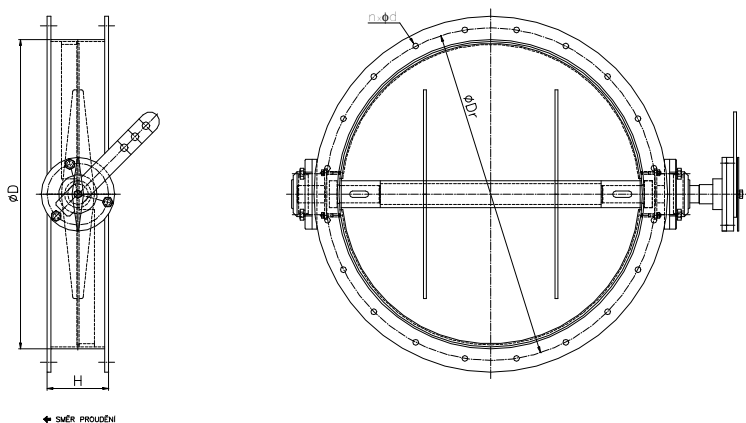
5. Heavy series – hand lever

Circular valve size $\varnothing D$ [mm]	$\varnothing Dr$ [mm]	H [mm]	n	$\varnothing d$ [mm]	Weight [kg]
710	760	160	20	15	105,9
800	860	160	20	15	116,8
900	960	160	24	15	130,8
1000	1070	160	24	19	144,8
1120	1190	160	24	19	162,7
1250	1320	160	32	19	217,0
1400	1470	160	32	19	248,2
1600	1670	160	32	19	294,4
1800	1870	160	40	19	344,7



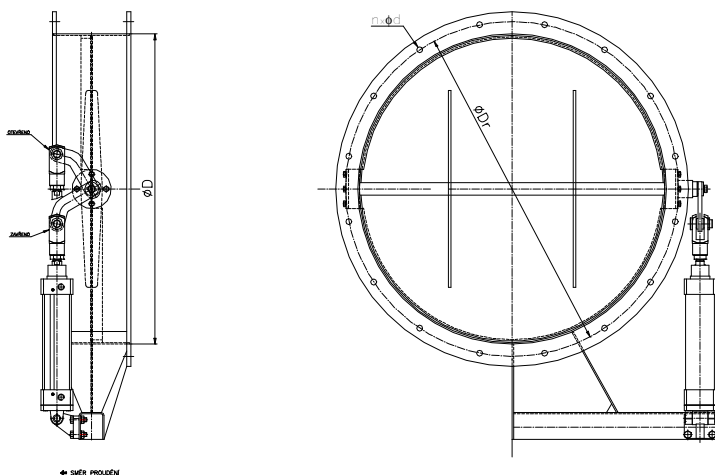
6. Heavy series – lever for another method of control

Circular valve size $\varnothing D$ [mm]	$\varnothing Dr$ [mm]	H [mm]	n	$\varnothing d$ [mm]	Weight [kg]
710	760	160	20	15	98,7
800	860	160	20	15	109,7
900	960	160	24	15	123,9
1000	1070	160	24	19	137,9
1120	1190	160	24	19	155,9



7. Heavy series – pneumatic cylinder

Circular valve size ØD [mm]	ØDr [mm]	H [mm]	n	Ød [mm]	Weight [kg]
450	495	160	12	12	28,6
560	605	160	16	12	37,1
630	680	160	16	12	42,7
710	760	160	20	15	99,7
1000	1070	160	24	19	138,9



Valid from: 5.2.2014

Elaborated: Pavelka Petr

**EKOMETAL - E**, spol. s r.o.  
Draby 710  
566 01 Vysoké Myto  
Czech Republic

Tel.: +420 465 423 392  
+420 465 423 860  
Fax: +420 465 423 385  
E-mail: info@ekometal.cz

VAT-No.: CZ60932228  
Registration: Regional court Hradec Kralove, section C, insert 5879  
Bank: CSOB a.s. – Branch office Vysoké Myto  
IBAN: CZ40 0300 0000 0002 5295 4222  
SWIFT: CEKOCZPP